

P type

Features and Strengths

Excellent for thin plastic bags



Examples of use

Thin plastic bags

Recommended Lifting Force (Max.)

Model	Volume (cm ³)	Lifting Force (Kg) – Perpendicular		
		- 20 kPa	- 60 kPa	- 90 kPa
B1.5/20-PB12	2.2	0.22	0.37	0.46
B1.5/20-P15	1.43	0.3	0.5	0.6
B1.5/20-P17	1.53	0.3	0.6	0.7
B1.5/20-P20	1.83	0.4	0.8	0.9
B1.5/20-P27	2.73	0.8	1.7	2.8
B1.5/20-P30	4.2	0.94	1.79	2.05
B1.5/20-P32	4.13	1.7	3.4	4.6
B1.5/40-P40	15.5	1.20	2.70	3.70
B1.5/40-P45	17.5	1.70	3.40	4.40
B1.5/40-P48	14.4	2.6	5.5	7.2
B1.5/40-P52	20.8	2.10	4.10	4.70
B1.5/40-P56	23.2	2.20	4.60	5.50
B1.5/60-P60	21.5	4.6	10.4	14.7
B1.5/60-P72	36.2	6.6	14.9	20.7
B1.5/60-P85	41.5	7.6	16.3	21.9
B2.5/20-PB12	4	0.22	0.37	0.46
B2.5/20-P15	3.54	0.3	0.5	0.6
B2.5/20-P17	3.64	0.3	0.6	0.7
B2.5/20-P20	3.94	0.4	0.8	0.9
B2.5/20-P27	4.84	0.8	1.7	2.8
B2.5/20-P30	6	0.94	1.79	2.05
B2.5/20-P32	6.24	1.7	3.4	4.6
B2.5/40-P40	19.9	1.20	2.70	3.70
B2.5/40-P45	22.0	1.70	3.40	4.40
B2.5/40-P48	21.8	2.6	5.5	7.2
B2.5/40-P52	25.2	2.10	4.10	4.70
B2.5/40-P56	27.6	2.20	4.60	5.50
B2.5/60-P60	28.9	4.6	10.4	14.7
B2.5/60-P72	38.7	6.6	14.9	20.7
B2.5/60-P85	44.1	7.6	16.3	21.9
B4.0/20-PB12	4	0.22	0.37	0.46
B4.0/20-P15	3.27	0.3	0.5	0.6
B4.0/20-P17	3.37	0.3	0.6	0.7
B4.0/20-P20	3.67	0.4	0.8	0.9



Recommended Lifting Force (Max.)

Model	Volume (cm ³)	Lifting Force (Kg) – Perpendicular		
		- 20 kPa	- 60 kPa	- 90 kPa
B4.0/20-P27	4.57	0.8	1.7	2.8
B4.0/20-P30	6.0	0.94	1.79	2.05
B4.0/20-P32	5.97	1.7	3.4	4.6
B4.0/40-P40	28.3	1.20	2.70	3.70
B4.0/40-P45	30.3	1.70	3.40	4.40
B4.0/40-P48	21.8	2.6	5.5	7.2
B4.0/40-P52	33.6	2.10	4.10	4.70
B4.0/40-P56	35.9	2.20	4.60	5.50
B4.0/60-P60	28.9	4.6	10.4	14.7
B4.0/60-P72	36.2	6.6	14.9	20.7
B4.0/60-P85	41.5	7.6	16.3	21.9
B5.0/20-PB12	5.2	0.22	0.37	0.46
B5.0/20-P15	4.43	0.3	0.5	0.6
B5.0/20-P17	4.53	0.3	0.6	0.7
B5.0/20-P20	4.83	0.4	0.8	0.9
B5.0/20-P27	5.73	0.8	1.7	2.8
B5.0/20-P30	7.2	0.94	1.79	2.05
B5.0/20-P32	7.13	1.7	3.4	4.6
B5.0/40-P40	35.0	1.20	2.70	3.70
B5.0/40-P45	37.1	1.70	3.40	4.40
B5.0/40-P48	34.4	2.6	5.5	7.2
B5.0/40-P52	40.3	2.10	4.10	4.70
B5.0/40-P56	42.7	2.20	4.60	5.50
B5.0/60-P60	41.5	4.6	10.4	14.7
B5.0/60-P72	56.5	6.6	14.9	20.7
B5.0/60-P85	61.7	7.6	16.3	21.9
B6.0/20-PB12	7.0	0.22	0.37	0.46
B6.0/20-P15	6.52	0.3	0.5	0.6
B6.0/20-P17	6.62	0.3	0.6	0.7
B6.0/20-P20	6.92	0.4	0.8	0.9
B6.0/20-P27	7.82	0.8	1.7	2.8
B6.0/20-P30	8.9	0.94	1.79	2.05
B6.0/20-P32	9.22	1.7	3.4	4.6
B6.0/40-P40	39.5	1.20	2.70	3.70
B6.0/40-P45	41.5	1.70	3.40	4.40
B6.0/40-P48	41.4	2.6	5.5	7.2
B6.0/40-P52	44.8	2.10	4.10	4.70
B6.0/40-P56	47.2	2.20	4.60	5.50
B6.0/60-P60	48.5	4.6	10.4	14.7
B6.0/60-P72	58.9	6.6	14.9	20.7
B6.0/60-P85	61.7	7.6	16.3	21.9



Material Specifications

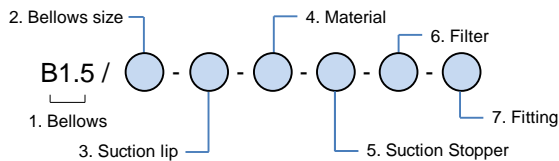
Material	Hardness Shore (°)	Color	Temperature (°C)
NBR (Nitrile)	60	Black	-20~110
S3 - Silicone	30	Translucent White	-70~200
S5 - Silicone	50	Red	-70~200
WS3 - White Silicone	30	Translucent White	-70~200
WS5 - White Silicone	50	Translucent White	-70~200
Urethane	60	Dark Grey	0~100


Material Resistance

Description	NBR (Nitrile)	Silicone	White Silicone	Urethane
Wear Resistance	Excellent	Good	Good	Excellent
Oil	Excellent	Poor	Poor	Excellent
Weather / Ozone	Fair	Excellent	Excellent	Excellent
Alcohol	Good	Good	Good	Fair
Acid	Fair	Poor	Poor	Poor




Build an Ordering No.






1. Bellow size	Description	Ordering No.
	Top bellows 1.5 folds	B1.5
	Top bellows 2.5 folds	B2.5
	Top bellows 1.5 folds + Middle bellows 2.5 folds	B4.0
	Top bellows 1.5 folds + Middle bellows 3.5 folds	B5.0
	Top bellows 2.5 folds + Middle bellows 3.5 folds	B6.0

2. Bellows size	Description	Ordering No.
	20mm bellows diameter: For PB12 & P15 & P17 & P20 & P27 & P30 & P32	20
	40mm bellows diameter: For P40 & P45 & P48 & P52 & P56	40
	60mm bellows diameter: For P60 & P72 & P85	60

3. Suction lip	Description	Ordering No.
	PB type lip, 12mm diameter	PB12
	P type lip, 15mm diameter	P15
	P type lip, 17mm diameter	P17
	P type lip, 20mm diameter	P20
	P type lip, 27mm diameter	P27
	P type lip, 30mm diameter	P30
	P type lip, 32mm diameter	P32
	P type lip, 40mm diameter	P40
	P type lip, 45mm diameter	P45
	P type lip, 48mm diameter	P48
	P type lip, 52mm diameter	P52
	P type lip, 56mm diameter	P56
	P type lip, 60mm diameter	P60
	P type lip, 72mm diameter	P72
P type lip, 85mm diameter	P85	

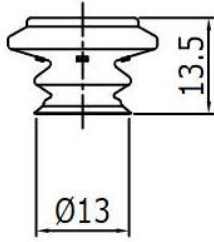
4. Material	Description	Ordering No.
	NBR (Nitrile), 60° hardness	N6
	Silicone, 30° hardness	S3
		S5
	W3	
	W5	
	W3(FDA)	
	W5(FDA)	
U6		



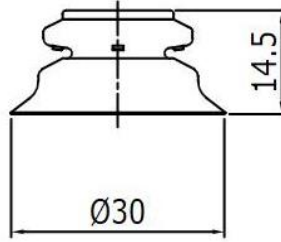
5. Suction Stopper	Description	Ordering No.
	D type	D
6. Filter	Description	Ordering No.
	No filter	Blank
	Filter (200mesh)	F2
7. Fitting	Description	Ordering No.
	Fitting, G1/8 female	18F
	Fitting, G1/4 female	14F
	Fitting, G1/8 male	18M
	Fitting, G1/4 male	14M
	Fitting, G3/8 male	38M
	Fitting, G3/8 female: Only for 60mm bellow diameter	38F



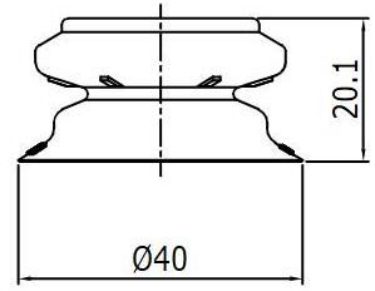
Dimension Data



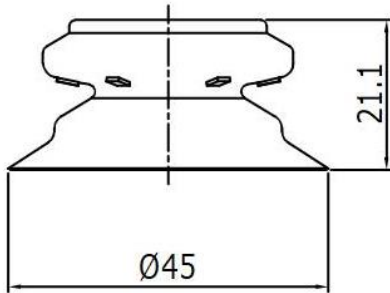
PB12



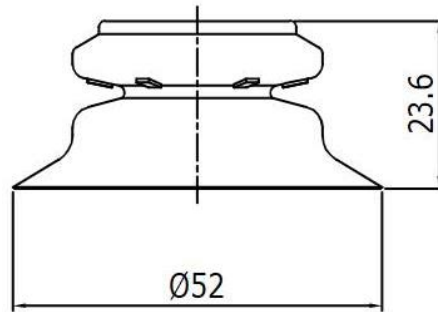
P30



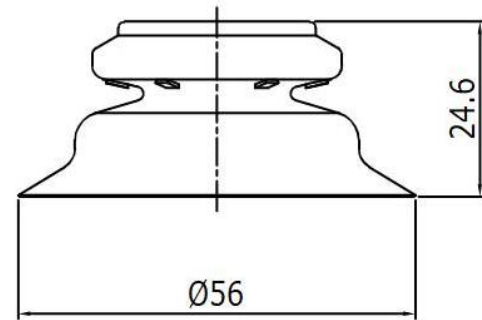
P40



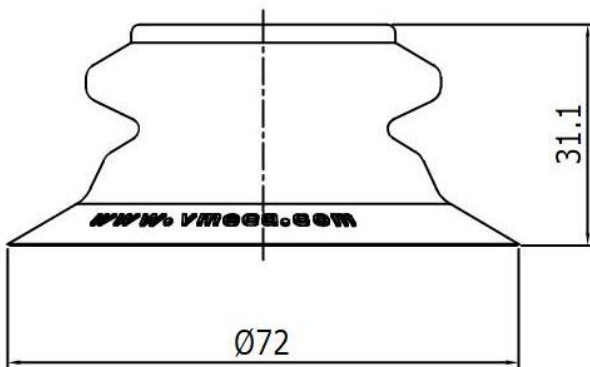
P45



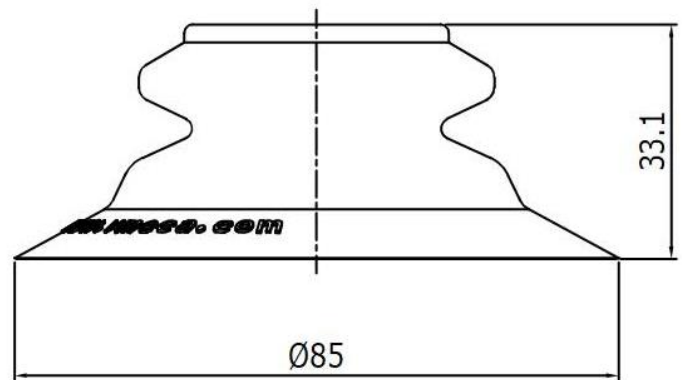
P52



P56



P72



P85

